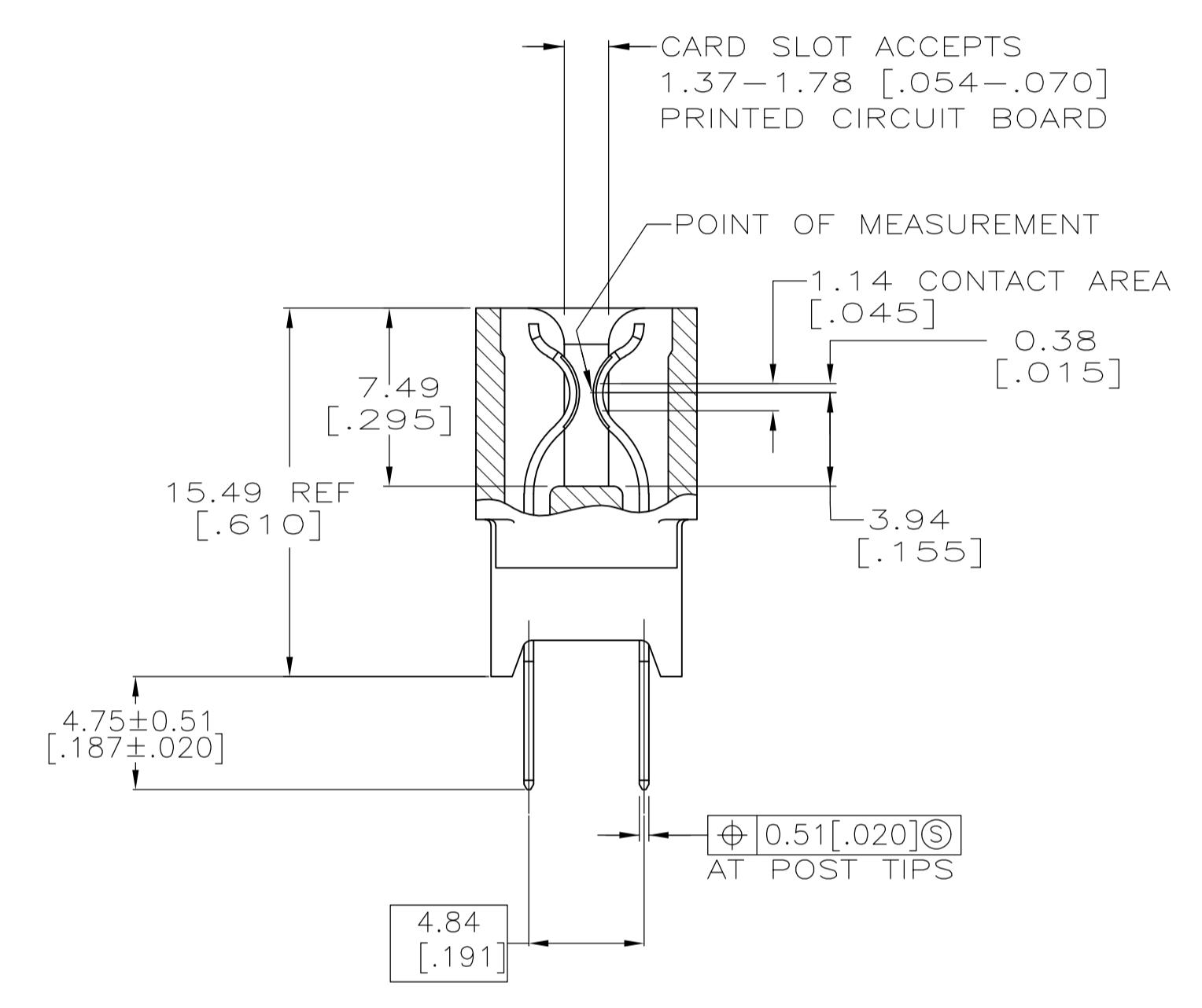


- MATERIAL:
 HOUSING: GLASS FILLED POLYESTER; COLOR: BLACK.
 CONTACT: PHOS BRONZE
- FINISH:
 0.00076[.000030] MIN GOLD PLATE IN CONTACT AREA,
 0.00254[.000100] MIN MATTE TIN ON SOLDER POSTS, ALL
 OVER 0.00127[.000050] MIN NICKEL
- AMP LOGO, TE PART NUMBER, DATE CODE AND CSA LOGO INK
 STAMPED WHITE (HOT STAMPED OR LAZER PRINTED) IN THE APPROXIMATE
 AREA SHOWN, EITHER SIDE PERMISSABLE, WHEN HOUSING SIZE PERMITS
- RECOMMENDED PCB FINISHED HOLE DIAMETER = 1.08±0.08[.040±.003]



OBSOLETE 5650616-2
 PART NUMBER

49 5650616-1
 NO OF POSN PART NUMBER

THIS DRAWING IS A CONTROLLED DOCUMENT.		DW	AWF/L.A.MAYER	29FEB2008	Tyco Electronics Corporation Harrisburg, PA 17105-3608		
DIMENSIONS: mm [INCHES]		CHK	A.W.FRANTUM	29FEB2008	Tyco Electronics Corporation		
TOLERANCES UNLESS OTHERWISE SPECIFIED:		APVD	S.FLICKINGER	29FEB2008	NAME		
0 PLC	± -	PRODUCT SPEC				CONNECTOR ASSEMBLY, STANDARD EDGE II, 2.54 [.100] CENTERLINE	
1 PLC	± -	APPLICATION SPEC				108-9039	
2 PLC	± 0.13 [.005]	SIZE				A1	
3 PLC	± -	DRAWING NO				00779	
4 PLC	± -	RESTRICTED TO				-	
ANGLES	± °	WEIGHT				-	
MATERIAL	SEE NOTE 1	CUSTOMER DRAWING				SCALE 4:1 SHEET 1 OF 1 REV B	
FINISH	SEE NOTE 2	C=5650616					